

# ARRI EVENT SYSTEM

Best in Show





#### ARRISUN 18 EVENT

Following the great success of the AS18 lamphead in the film industry, ARRI has developed a version that meets the requirements of event and trade show lighting: the AS18 Event. This latest member of the ARRI Event family combines the AS18's TRUE BLUE technology with specific Event System features. The AS18 Event is rugged and robust, with ARRI build quality and IP23 weather resistance for outdoor use.

The AS18 Event shares the same lenses and accessories as its forerunner, the AS12 Event. It is virtually the same size, but light output is increased by about 70% due to the new 1800 W lamp and the EB 1200/1800 EVENT THREE ballast, equipped with CCL – Compensation of Cable Losses. Like the AS5 Event, the AS18 Event is equipped with ignition time control.

#### NEW EB 1200/1800 EVENT THREE

Integrated electronic lamp detection in the new Electronic Ballast 1200/1800 EVENT THREE enables use with either a 1200 W or 1800 W lamp. A new multicore cable management system and the Split Box Event 1800 allow three lampheads to be connected to the ballast pack. Each channel can be switched or dimmed to 50% independently, either from the pack or remotely by DMX. The EB 1200/1800 EVENT THREE features CCL, which maintains full power all the way to the 1800 W lamp even when using cables of up to 100 m, which would otherwise mean a 15% loss of light output.



All images: Lightdesign by C2 Lighting



## ARRI EVENT SYSTEM

Established and successful in the market for over 10 years, the ARRI Event System is used at car shows as well as for red carpet events, sports, fashion and prestigious occasions where superior light quality is required.

The ARRI Event System includes the ARRISUN 5 Event and ARRISUN 18 Event, efficient high color rendering daylight lampheads.

Intelligent remote 19" electronic ballast units consist of three easily exchangeable modules and can be operated manually or via DMX remote control. Each channel can be switched or dimmed to 50% individually and the front panel indicators show the status of both lamphead and ballast.

Multicore cable management and power distribution simplifies cabling and reduces the weight on the rig.

The faceted glass reflector, an essential element of the Event lampheads, produces an even spread of superior quality light with around 8% more light output than an aluminum reflector. The dichroic coating provides excellent color rendering and reduces heat emission from the front of the lamphead.

#### FEATURES

- Superior light quality
- High efficiency dichroic glass reflectors
- Low heat emission from the front of the lamphead
- Daylight colour temperature with high color rendering
- Choice of colors – black or silver
- Versatile multicore cable management
- Intelligent remote 19" electronic ballast units with 0.98 power factor
- DMX control for remote switching and 50% dimming
- Compensation of Cable Losses (CCL on 1200/1800 W system only)

# ARRISUN 5 EVENT



Ident.-No.	Description
L1.77871.E	ARRISUN 5 EVENT, silver, Schaltbau connector
L1.77875.E	ARRISUN 5 EVENT, black, Schaltbau connector

### Accessories

L2.79671.0	4-Leaf Barndoor, outside silver, 197 mm
L2.79670.0	4-Leaf Barndoor, black, 197 mm
L0.77863.0	4 Lens Set (Spot, Narrow Flood, Flood, Super Flood) 175 mm
L2.77864.0	Spot Lens, 175 mm, blue
L2.77866.0	Narrow Flood Lens, 175 mm, black
L2.77868.0	Flood Lens, 175 mm, green
L2.77870.0	Super Flood Lens, 175 mm, red

### AS5 Event System Components

L2.76259EV	EB 575 EVENT SINGLE (1 x 575 W)
L2.76340.0	EB 575 EVENT SIX (6 x 575 W)
L2.76777.0	EB 200/575/1200 MULTIPLE FUNCTION
L2.76341.0	Split Box Event Six, 6 channels (200/575/1200 W)
L2.76786.0	Trasmitter Pendant Module 575 (for operation of AS5 Event with EB 200/575/1200 MULTIPLE FUNCTION)
L2.76342.D	Multicore Event 575, 20 m
L2.76318.B	Extension Cable Event 575, 5 m
L2.76318.C	Extension Cable Event 575, 10 m
L2.76339.0	Adapter Cable for AS5 event on VEAM ballasts

### Lamps

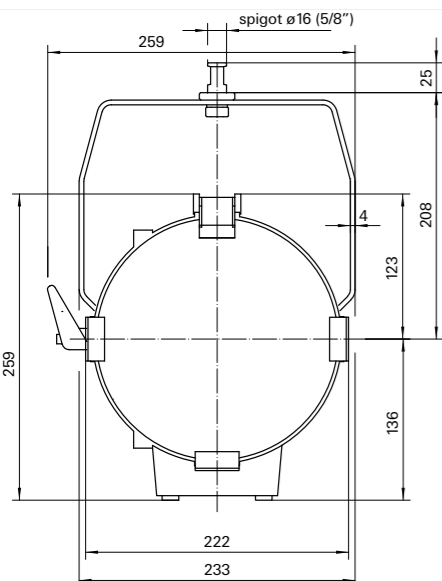
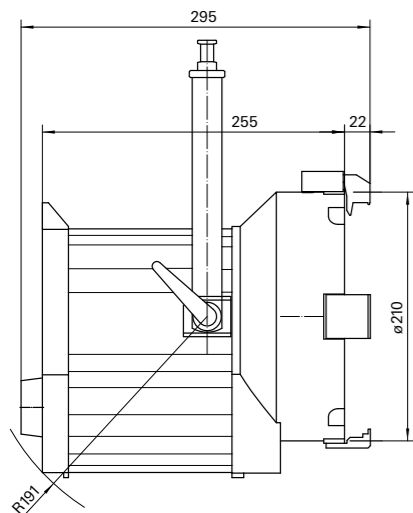
Metal Halide	HMI 575 W Osram, Longlife – 1000 h	230 V	G22
Metal Halide	MSR 575 W Philips HR	230 V	G22

### Specifications

Weight	4.5 kg
Reflector	Facetted parabolic glass reflector
Cable Length	0.5 m
Lens Diameter	175 mm
Mounting	Spigot 16 mm (5/8")
Lamp Base	G22
Packed Size	475 x 380 x 320 mm
Packed Weight	6.1 kg
Protection Class	IP 20
Certifications	CE

### Photometric Data for AS5 Event (Osram HMI 575 W/SE)

Lens Type	Focus	Beam Angle	Throw 10 m	Throw 15 m	
Spot	Spot	8.8°	8140	3616	Output (lux)
			1.6	2.3	Diameter (m)
Narrow Flood	Spot	9.4° x 21.2°	3985	1770	Output (lux)
			1.6 x 3.7	2.5 x 5.5	Diameter (m)
	Flood	38.8° x 48.8°	508	226	Output (lux)
			6.6 x 8.3	10 x 12.4	Diameter (m)
Flood	Spot	20° x 42.2°	1100	490	Output (lux)
			3.5 x 7.2	5.2 x 10.8	Diameter (m)
	Flood	40° x 61.2°	465	206	Output (lux)
			6.8 x 10.2	10.3 x 15.3	Diameter (m)
Super Flood	Spot	36°	880	391	Output (lux)
			6.2	9.3	Diameter (m)
			Flood	50.2°	481
8.5	12.7	Diameter (m)			



# ARRISUN 18 EVENT



Ident.-No.	Description
L1.37591.E	ARRISUN 18 EVENT, silver, Schaltbau connector
L1.37595.E	ARRISUN 18 EVENT, black, Schaltbau connector

### Accessories

L2.80951.0	4-Leaf Barndoor, outside silver, 344 mm
L2.80950.0	4-Leaf Barndoor, black, 344 mm
L2.40950.0	4-Leaf Barndoor TRUE BLUE, black, 344 mm
L0.76818.0	4 Lens Set (Spot, Narrow Flood, Flood, Super Flood)
L2.76821.0	Spot Lens, 250 mm, blue, DROP-IN
L2.76822.0	Narrow Flood Lens, 250 mm, black, DROP-IN
L2.76823.0	Flood Lens, 250 mm, green, DROP-IN
L2.76824.0	Super Flood Lens, 250 mm, red, DROP-IN
L2.76827.0	Lens case for DROP-IN lenses, empty

### AS18 Event System Components

L2.76610.0	EB 1200/1800 EVENT THREE
L2.37705.0	Split Box Event 1800, (3x 1200 / 3x 1800)
L2.37714.D	Multicore Event 1200/1800, 20 m
L2.75600.F	Extension Cable Event 1200/1800, 7 m
L2.75600.E	Extension Cable Event 1200/1800, 15 m

### Lamps

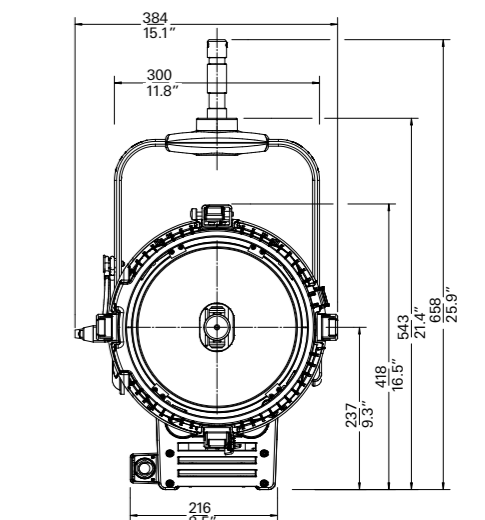
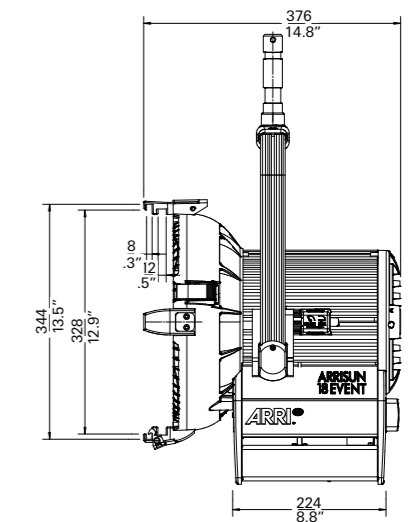
Metal Halide	HMI 1800 W/SE Osram	230 V	G38
--------------	---------------------	-------	-----

### Specifications

Weight	11.7 kg
Reflector	Facetted parabolic glass reflector
Cable Length	0.5 m
Lens Diameter	250 mm
Mounting	Spigot 28 mm (1 1/8")
Lamp Base	G 38
Packed Size	550 x 510 x 690 mm
Packed Weight	14.1 kg
Protection Class	IP 23
Certifications	CE, CB, GS, cNRTL

### Photometric Data for AS18 Event (Osram HMI 1800 W/SE XS)

Lens Type	Focus	Beam Angle	Throw 10 m	Throw 15 m	
Spot	Spot	7.8°	34300	15245	Output (lux)
			1.4	2	Diameter (m)
Narrow Flood	Spot	12° x 20°	12200	5422	Output (lux)
			2 x 3.5	3 x 5	Diameter (m)
	Flood	56° x 63°	818	364	Output (lux)
			9.4 x 10.5	14 x 15.7	Diameter (m)
Flood	Spot	18.6° x 42°	4260	1893	Output (lux)
			3.2 x 7.2	4.8 x 10.8	Diameter (m)
	Flood	50° x 68°	1226	545	Output (lux)
			8.5 x 11	12.7 x 16.7	Diameter (m)
Super Flood	Spot	41.8°	2294	1019	Output (lux)
			7	11	Diameter (m)
			Flood	73.8°	846
12	18	Diameter (m)			





### **EMEA (Europe, Middle East, Africa)**

ARRI Lighting Solutions GmbH  
Ernst-Augustin Str. 12, D-12489 Berlin  
Tel: + 49 (0)30 678233 0, Fax: +49 (0)30 678233 99

### **Italy**

ARRI Italia S.r.l.  
Viale Edison 318, 20099 Sesto San Giovanni (Milano)  
Tel: +39 (02)262 271 75, Fax: +39 (02)242 1692

ARRI Italia S.r.l.  
Via Placanica 97, 00040 Morena (Roma)  
Tel: +39 (06)79 89 021, Fax: +39 (06)79 89 02 206

### **Americas**

ARRI Inc.  
617 Route 303, Blauvelt, NY 10913-1109  
Tel: +1 (845)353 1400, Fax: +1 (845)425 1250

ARRI Inc.  
600 North Victory Blvd., Burbank, CA 91502-1639  
Tel: +1 (818)841 7070, Fax: +1 (818)848 4028

ARRI Inc.  
2385 Stirling Road Ft. Lauderdale, FL 33312-6608  
Tel: +1 (954)322-4545 Fax: +1 (954) 322-4188

ARRI Canada Limited  
415 Horner Ave. Unit 11 Etobicoke, Ontario M8W 4W3, Canada  
Tel: +1 (416)255 3335, Fax: +1 (416)255 3399

### **Asia**

ARRI Asia Limited  
2203B, The Centrium, 60 Wyndham Street, Central, Hong Kong  
Tel: +852 2571 6288, Fax: +852 2875 9181

ARRI Australia PTY Limited  
Level 1, Unit 1, 706 Mowbray Road, Lane Cove NSW 2066, Sydney, Australia  
Tel: +61 (2)9855 4300, Fax: +61 (2)9855 4301