

S120-C

SkyPanel is a compact, ultra-bright and high-quality LED soft light that sets a new standard for the industry. With a design focused on form, color, beam field and output, SkyPanel represents the culmination of more than a decade of research and development of LED technology at ARRI.

SkyPanel is available in several sizes: the S30, S60, S120, and S360. The S60 is a mid-range model, featuring a light aperture of 645 x 300 mm and accommodating the vast majority of applications. The S120 is twice as long as the S60, but weighs nearly the same. Its larger light aperture makes a great soft light even better. The S30 is a smaller, more portable version; half the length of the S60, it is perfect for on-the-go mobile applications. The S360 is the largest and brightest SkyPanel with four times the output of the S60 and almost six times the aperture size. The S360 is perfect for lighting large areas with tuneable, soft light. S30 and S60 models are available in fully color tuneable and remote phosphor versions.

Incorporating features of ARRI's successful L-Series LED Fresnels, SkyPanel is one of the most versatile soft lights on the market, as well as one of the brightest. Like the L-Series, SkyPanel 'C' (Color) versions are fully tuneable; correlated color temperature is adjustable between 2,800 K and 10,000 K, with excellent color rendition over the entire range. Full plus and minus green correction can be achieved with the simple turn of a knob, and in addition to CCT control, vivid color selection and saturation adjustment is also possible.

Unlike other tuneable fixtures, SkyPanel makes no sacrifice when it comes to light output. SkyPanel puts out a tremendous amount of light, in a soft and uniform beam field. Brighter than a 2 kW tungsten soft light or a 6 kW tungsten space light, the SkyPanel S120 has more than enough light for most applications. At the same time, the lamphead is able to perform beautifully at lower light levels. This range of illumination and color gives users an unprecedented amount of control.

Made in Germany to the high standards for which all ARRI products are known, SkyPanel is built to last – constructed from resilient materials and assembled by hand with great care. Other features include an on-board battery input for mobile applications, LAN port for network connectivity, USB-A port for firmware updates via thumb drive, and many more.



Download ARRI Photometrics from the App Store and Google Play to quickly reference the photometric characteristics of all the ARRI light fixtures

Photometric Data

	3 m / 9.8 ft		5 m / 16.4 ft		7 m / 23.0 ft		9 m / 29.5 ft	
S120-C (LE 2)	3,200 K	5,600 K	3,200 K	5,600 K	3,200 K	5,600 K	3,200 K	5,600 K
S120-C with Standard Diffusion	1678 lx	1556 lx	604 lx	560 lx	308 lx	286 lx	186 lx	173 lx
	156 fc	145 fc	56 fc	52 fc	29 fc	27 fc	17 fc	16 fc
S120-C with Lite Diffusion	1767 lx	1628 lx	636 lx	586 lx	325 lx	299 lx	196 lx	181 lx
	164 fc	151 fc	59 fc	54 fc	30 fc	28 fc	18 fc	17 fc
S120-C with Heavy Diffusion	1372 lx	1272 lx	494 lx	458 lx	252 lx	234 lx	152 lx	141 lx
	127 fc	118 fc	46 fc	43 fc	23 fc	22 fc	14 fc	13 fc
S120-C with Intensifier	2631 lx	2425 lx	947 lx	873 lx	483 lx	445 lx	292 lx	269 lx
	244 fc	225 fc	88 fc	81 fc	45 fc	41 fc	27 fc	25 fc

Order No. | Description

L0.0012956	S120-C, Manual, Blue/Silver, 3 m DC Cable, S60/S120 PSU with Rail Mount Adapter, Standard Diffusion Panel, powerCON Edison cable
L0.0012954	S120-C, Manual, Blue/Silver, 3 m DC Cable, S60/S120 PSU with Rail Mount Adapter, Standard Diffusion Panel, powerCON Schuko cable
L0.0013424	S120-C, Manual, Black, 3 m DC Cable, S60/S120 PSU with Rail Mount Adapter, Standard Diffusion Panel, powerCON Edison cable
L0.0012950	S120-C, Center Mount, Blue/Silver, 3 m DC Cable, S60/S120 PSU, Standard Diffusion Panel, powerCON Edison cable
L0.0012948	S120-C, Center Mount, Blue/Silver, 3 m DC Cable, S60/S120 PSU, Standard Diffusion Panel, powerCON Schuko cable
L0.0012953	S120-C, Pole Op, Blue/Silver, 1 m DC Cable, S60/S120 PSU with Rail Mount Adapter, Standard Diffusion Panel powerCON, Bare Ends
L0.0012952	S120-C, Pole Op, Black, 1 m DC Cable, S60/S120 PSU with Rail Mount Adapter, Standard Diffusion Panel powerCON, Bare Ends

... more on request

SKYPANEL
SOFT LIGHTING | REDEFINED

Technical Specifications

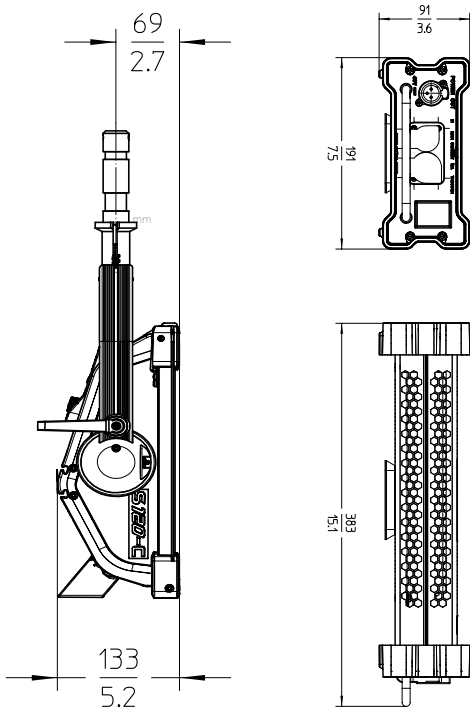
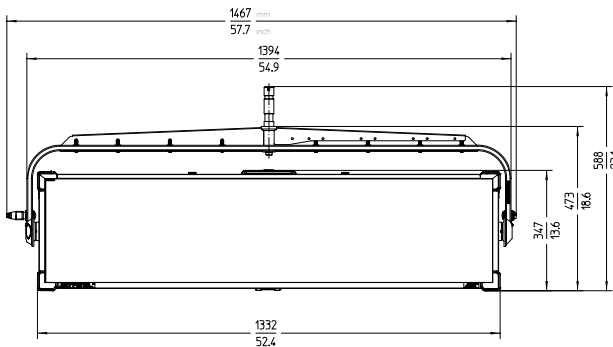
SkyPanel S120-C

Optical System	Swappable Soft Diffusion Panels
Light Aperture	1290 x 300 mm / 50.8 x 11.8"
Beam Angle	105° (Half Peak Angle)
Weight	12,9 kg / 28.4 lbs (Fixture only, incl. Diffusion) 16,5 kg / 36.4 lbs (Manual Version) 20,5 kg / 44.2 lbs (P. O. Version)
Handling	Aluminum Yoke, High Strength Tilt Lock, Pole Operation Option (Pan & Tilt)
Mounting	28 mm Spigot (Junior Pin)
Tilt Angle	+/- 90°
Lamphead Voltage Input	48 V DC
Power Consumption	400 W Maximum
Lamphead Power Connection	Male 3-Pin XLR - 15 A (Pin 1: Negative / Pin 2: Positive)
Battery Connector	Male 4-Pin XLR - 10 A (Pin 1: Negative / Pin 4: Positive)
Battery DC Voltage Range	23 to 36 V DC
Battery Mode Light Output	50 % of total output
White Light	2,800 K to 10,000 K continuously variable correlated color temperature
Colored Light	Full RGB+W color gamut with Hue and Saturation control
Color Temperature Tolerance	+/- 100 K (nominal), +/- 1/8 Green-Magenta (nominal)
Color Rendition	CRI Average > 95 TLCI Average > 90
Green-Magenta Adjustment	continuously adjustable (Full Minusgreen to Full Plusgreen)
Dimming	0 to 100 % continuous
Control	On-Board Controller, 5-Pin DMX In and Through, EtherCon LAN network connectivity, USB-A, Art-Net, sACN
Remote Device Management (RDM)	DMX Setup, Hour Counter and Standard & Manufacturer RDM commands
Software Interface	Ethernet: DMX Setup, Fixture Status and Firmware Upgrade through PC, Mac USB-A: Software Upgrade via flash drive
Housing Color	Blue/Silver, Black
Ambient Temperature Operation	-20 to +45 °C (-4 to +113 °F)
Protection Class / IP Rating	III / IP20
Estimated LED Lifetime (L70)	50,000 hours
Estimated Color Shift Over Lifetime (CCT)	+/- 5 %
Certifications & Declaration of Conformity	CE, UKCA, CB, ENEC, cNRTLus, FCC, PSE

Power Supply Unit for SkyPanel S60/120-C

Power Supply Input Range	100 to 240 V ~, 50/60 Hz
Power Supply Output Range	48 V DC
Power Input Connection	powerCON TRUE1 TOP (Bare Ends / Schuko / Edison / Japanese / Chinese cables available)
Power Output Connection	Female 3-Pin XLR - 10 A (Pin 1: Negative / Pin 2: Positive) powerCON TRUE1 TOP (mains power through)
Weight	approx. 4 kg / 7.7 lbs
Dimensions	383 x 191 x 91 mm / 15.1 x 7.5 x 3.6"
Control	On-Board On/Off Switch
Mounting	SkyPanel PSU Super Clamp Adapter, Rail Mount Adapter
Certifications & Declaration of Conformity	CE, UKCA, CB, ENEC, cNRTLus, FCC

All specifications are nominal / typical values.



SKYPANEL
SOFT LIGHTING | REDEFINED