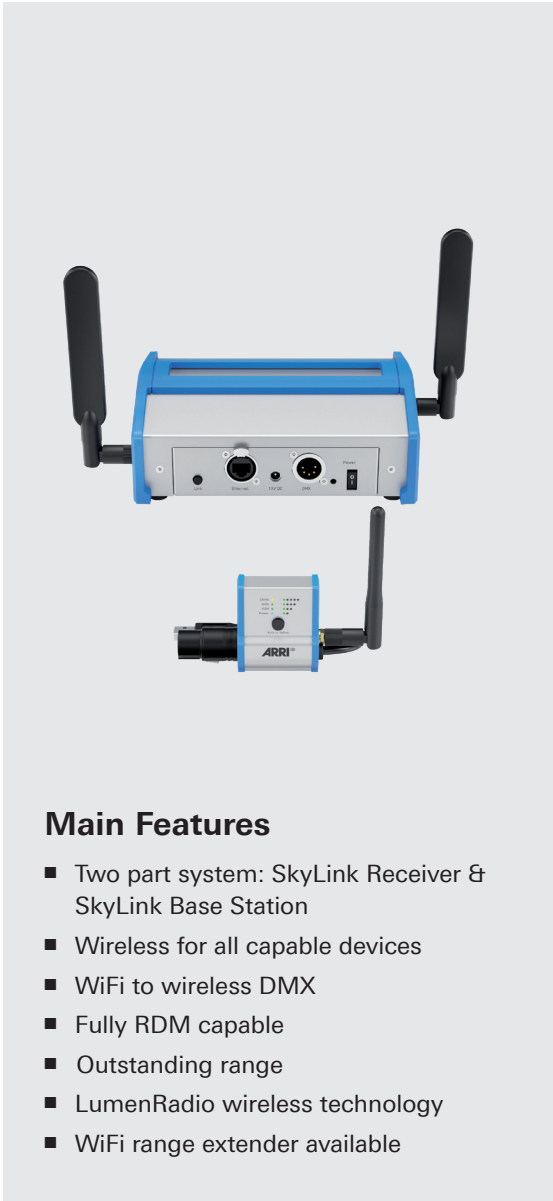


SKYLINK[®]



Main Features

- Two part system: SkyLink Receiver & SkyLink Base Station
- Wireless for all capable devices
- WiFi to wireless DMX
- Fully RDM capable
- Outstanding range
- LumenRadio wireless technology
- WiFi range extender available

Go wireless with SkyLink

ARRI and Innovative Dimmers have teamed up to create SkyLink: a two-part system that allows for wireless DMX and RDM communication to all capable devices. The SkyLink Receiver and the SkyLink Base Station use LumenRadio for DMX/RDM communication and a WiFi chip in the Base Station enables direct control from a DMX control application on a tablet or computer.

The real wireless magic happens in the SkyLink Base Station. Armed with two wireless chips, the SkyLink Base Station can communicate LumenRadio's CRMX and the international standard of WiFi. Therefore, a tablet or computer can communicate, via WiFi, to the SkyLink Base Station which can, in turn, communicate the reliable CRMX standard to the SkyLink Receiver on the fixture. This communication chain supports new and simple ways of controlling one or many Orbiters, SkyPanels and L-Series fixtures.

An extender for wireless networks helps to cover also large area communication or surroundings which may effect coverage negatively. In addition to the wireless interfaces the SkyLink Base Station is equipped with a RJ45 jack for LAN communication and DMX ports for wired network connection to ensure maximal network stability and data integrity.

ARRI LED products have always included an excellent implementation of RDM (Remote Device Management) in addition to the DMX protocols. RDM allows for two-way communication with the fixture and enables the ability to change all settings on the lamp head remotely. The SkyLink system is fully RDM capable and allows for complete control over all capable devices including Orbiter, SkyPanel, L-Series and more.

Apps



Available Accessories

WiFi range extender

Parts & Kits

Version		Color
SkyLink Receiver		■ blue/silver
SkyLink Base Station	(Edison / Schuko)	■ blue/silver
SkyLink 3 Receiver Kit	(Edison / Schuko)	■ blue/silver
SkyLink 10 Receiver Kit	(Edison / Schuko)	■ blue/silver

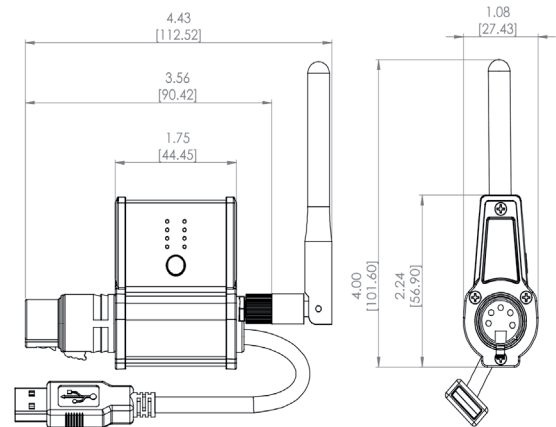
Kits include 3 or 10 SkyLink Receivers, base station with power supply, power adapters for Receivers & case with die-cut foam

All versions include antennas

Connector Types Schuko
Edison
Australian

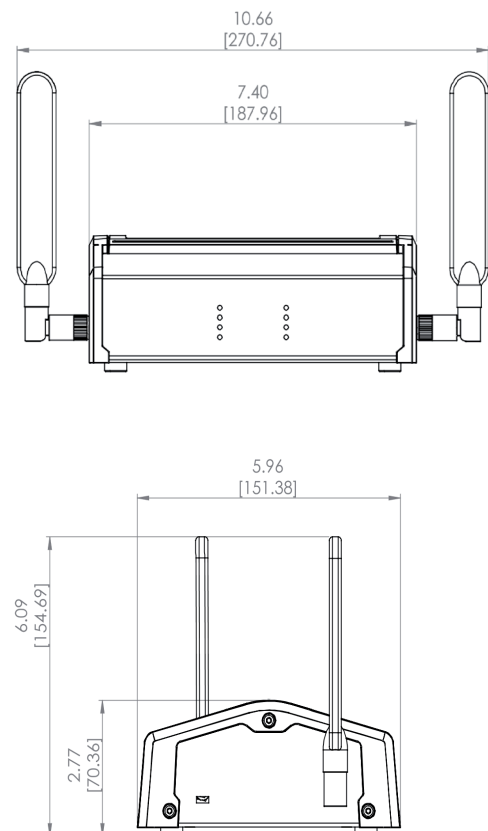
Specifications SkyLink Receiver

Wireless Communication	LumenRadio CRMX (DMX/RDM) Receiver
Range	up to 500 m / 1,640 ft
Frequency Range	2,404 - 2,480 MHz
Weight	0.1 kg / 0.22 lbs
Protocols	DMX-512(A) and RDM ANSI E1.20
Voltage Input	5 V \overline{DC}
Power Connection	male USB-A
Antenna Connection	RP-SMA male
Antenna Type	2dBi RP-SMA antenna
DMX Connection	XLR 5-pin female with 180° rotation
Control	“Unlink” button for disconnecting from CRMX network
Remote Device Management (RDM)	DMX setup and standard RDM commands
Housing Color	blue/silver
Ambient Temperature Operation	-20 to +50° C (-4 to +122° F)
Protection Class / IP Rating	III / IP20
Certifications	CE, FCC



Specifications SkyLink Base Station

Wireless Communication	LumenRadio CRMX (DMX/RDM) transmitter & WiFi
Range	CRMX up to 500 m / 1,640 ft WiFi up to 75 m / 246 ft
Frequency Range	2,402 - 2,480 MHz
Protocols	DMX - 512(A), RDM ANSI E1.20, Art-Net, sACN
DMX Connector	XLR 5-pin male
DMX Universe Support	one universe with 512 channels
Ethernet	EtherCON RJ45 female
Antenna Connector	two RP-SMA male
Antenna Type	2x2 dBi RP-SMA antenna
Control	“Link” button for linking to CRMX devices webpage interface for adjusting settings
Power Supply Input Range	100 to 240 V \overline{AC} , 50/60 Hz
Power Supply Output Range	12 V \overline{DC}
Power Input Connection	2.1 x 5.5 DC barrel connector
Device Input Voltage	12 V \overline{DC}
Weight	0,8 kg (1,70 lbs)
Control	on-board on/off switch
Housing Color	blue/silver
Ambient Temperature Operation	-20° to +50° C (-4 to 122° F)
Protection Class / IP Rating	III / IP20
Certifications	CE, FCC



All specifications are nominal / typical values.