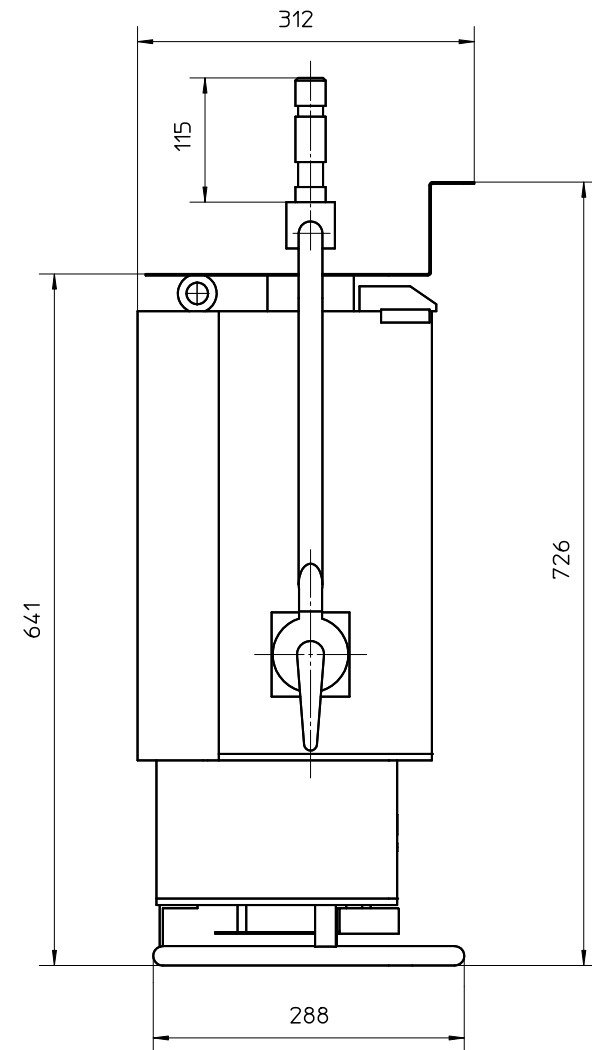
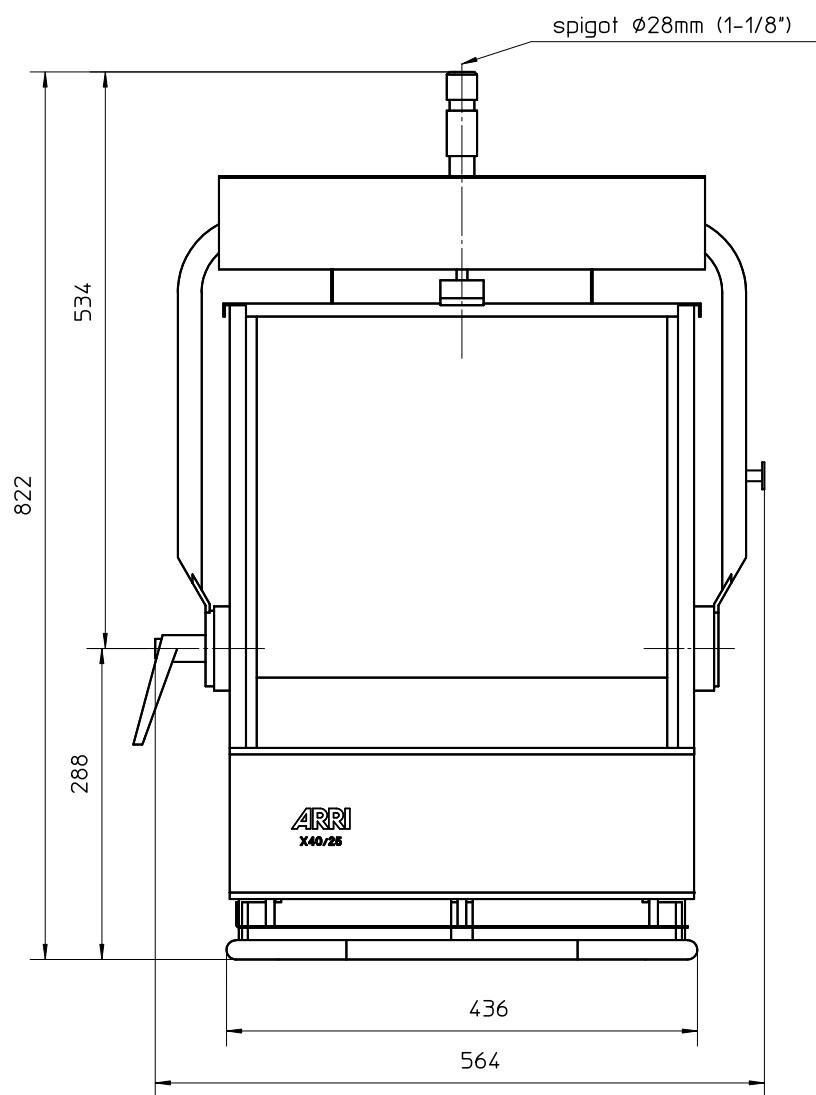



Schutzvermerk nach DIN34 beachten



Scheinwerfertyp type of lamphead	ARRI X40/25 Theater	Frontscheibe front screen	385x400mm 15.2x14.8 "	Packmass packed size	670x610x620 mm 26.38x24.02x24.41 "	Gewicht net weight	24 kg 52.92 lbs	 Arnold & Richter Cine Technik Pulvermuehle D-83071 Stephanskirchen
Leuchtmittel lamp	HMI 4000W/SE HMI 2500W/SE	Zubehoer accessories	400 mm 15.75 "	Packvolumen packed volume	253.39 l 8.949 ft3	Dateiname file name	xt40_25_mb_02	
Lampensockel lamp base	G38	Fluegeltor barndoor	415 mm 16.33 "	Packgewicht packed weight	30,0 kg 66.15 lbs	Version / Stand version / as at...	1.1/15.02.11	