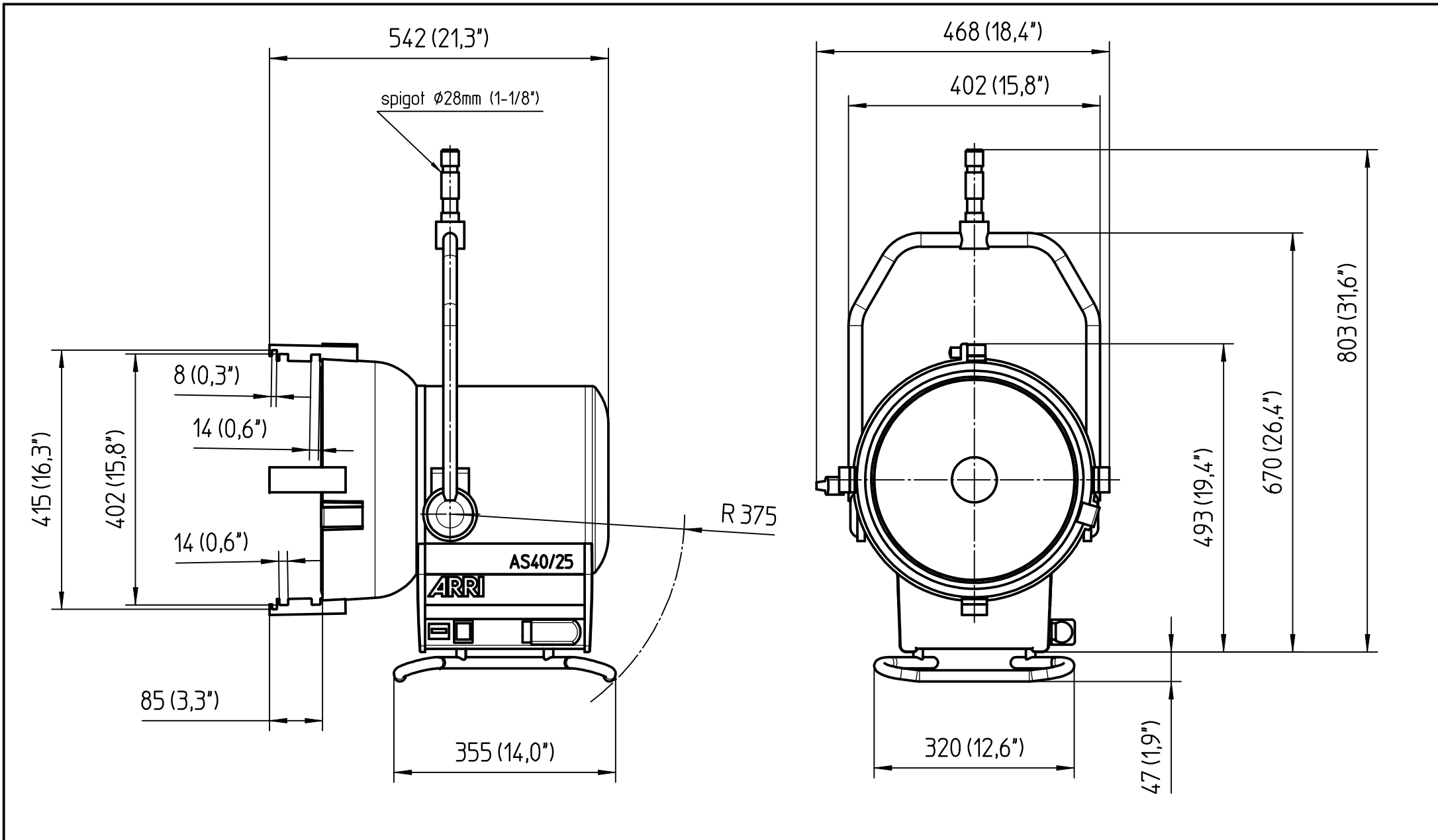



Schutzvermerk nach DIN34 beachten



| | | | | | | | | |
|-------------------------------------|--|-------------------------|---|------------------------------|-------------------------------------|---------------------------------------|--------------------|---|
| Scheinwerfertyp type of lamphead | AS40/25 | Linsen lenses | $\phi 350\text{ mm}$ $\phi 13,8\text{ in}$ | Packmass packed size | 670x600x660 mm 26,8x23,6x26,0 in | Gewicht net weight | 19 kg 41.90 lbs |  Arnold & Richter Cine Technik Pulvermuehle D-83071 Stephanskirchen |
| Leuchtmittel lamp | HMI 4000W/2500W SE HMI 4000W/2500W SE | Zubehoer accessories | $\phi 400\text{ mm}$ $\phi 15,7\text{ in}$ | Packvolumen packed volume | 253,39 l 8,949 ft | Dateiname file name | MB_AS40/25_01 | |
| Lampensockel lamp base | G38 | Fluegeltor barndoor | $\phi 413\text{ mm}$ $\phi 16,2\text{ in}$ | Packgewicht packed weight | 24 kg 52,92 lbs | Version / Stand version / as at... | 1.0/01.09.11 | |